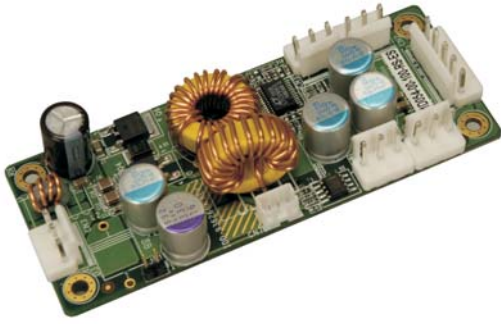




IEI Technology Corp.

# IDD-936260A DC/DC Converter Module



IEI Technology Corp.	
No.29, Zhongxing Rd., Sijih City, Taipei County 221, Taiwan	
Tel : +886-2-8691-6798	Fax : +886-2-6616-0029
E-mail : sales@iei.com.tw	

## Specifications

- Input: 9VDC~36VDC
- Output:
  - 12V@3A (Max.)
  - 5V@10A (Max.)
  - 5VSB@0.5A (Max.)
- Max. Total Output: 60W
- Performance Characteristics:
  - Noise & Ripple: <240mV
  - Line Regulation: <50mV
  - Load Regulation: <100mV
  - Efficiency: Up to 90%
- Dimensions: 40mm x 100mm
- Weight: NW:58g
- Operating Temperature: -20°C~70°C

## Connectors

### Input Power Connector (CN3)

PIN NO.	DESCRIPTION
1-2	VIN
3-4	GND

### ATX Mode Connector (CN7)

PIN NO.	DESCRIPTION
1	5VSB
2	GND
3	PS_ON

### Output Power Connectors

CN1, CN2, CN5, CN6

PIN NO.	DESCRIPTION
1	+5V
2	GND
3	+12V

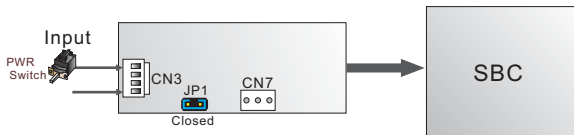
CN4

PIN NO.	DESCRIPTION
1	+5V
2	+5V
3	GND
4	GND
5	+12V

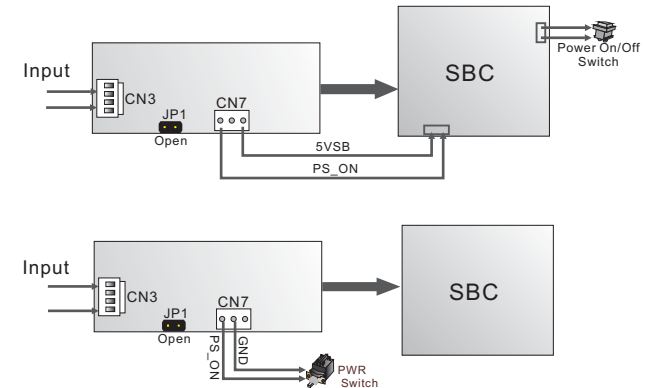
## Jumper Setting

JP1	DESCRIPTION
Closed	AT Mode (default)
Open	ATX Mode

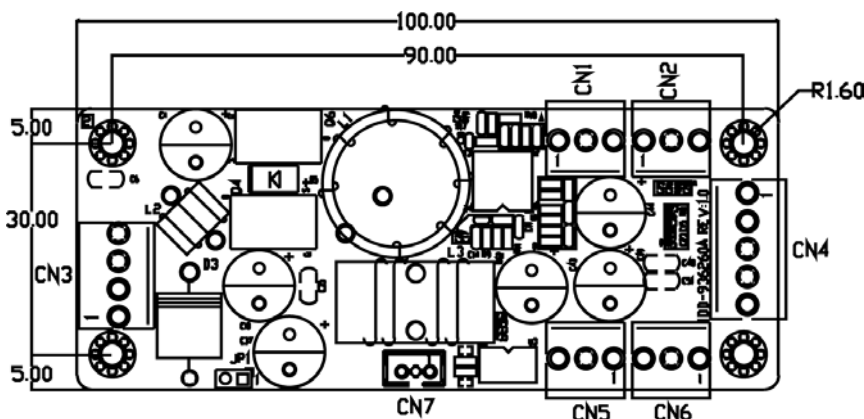
### AT Mode



### ATX Mode



## Dimensions



## Copyright Notice

The information in this document is subject to change without prior notice in order to improve reliability, design, and function and does not represent a commitment on the part of the manufacturer.

In no event will the manufacturer be liable for direct, indirect, special, incidental, or consequential damages arising out of the use or inability to use the product or documentation, even if advised of the possibility of such damages.

This document contains proprietary information protected by copyright. All rights are reserved. No part of this manual may be reproduced by any mechanical, electronic, or other means in any form without prior written permission of the manufacturer.